

[sales@htzsolutions.com](mailto:sales@htzsolutions.com)

[HTZSolutions.com](http://HTZSolutions.com)



## Introducing the latest entry to the Hand Hole market

The HTZ H22 - 24" x 36" x 24" Hand Hole is the most lightweight, yet durable option for your Tier 22 telecommunications infrastructure projects. Weighing less than 115 lbs fully assembled, this is the lightest Tier 22 product available. It is also reversible; the lid fits and fastens the same on either end. Our 100% Made in America product originated in the Midwest and was created based on direct input from installers, distributors and end customers alike.

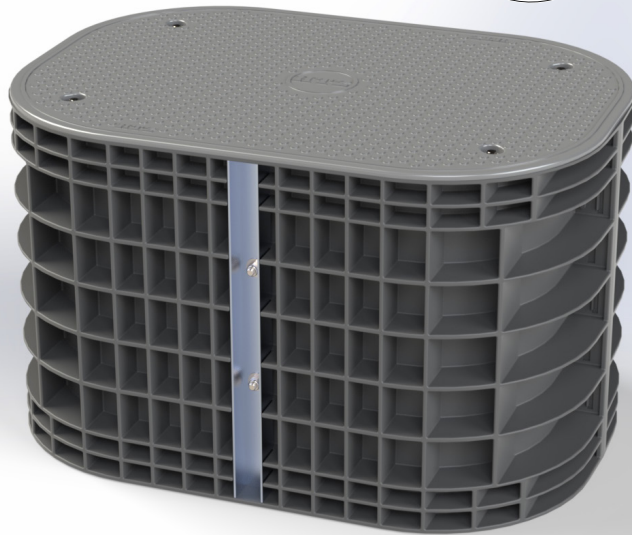
Our HDPE-based hand hole makes it easier and safer for installers to add custom ports for cable ingress/egress in the field, without the dust and tool wear that results from working with precast and concrete products. In addition, our HDPE, Tier 22 Lid is 20% lighter than competitors lids, while still meeting the Tier 22 test load requirements.

Our Patent Pending Hand Holes come fully assembled to ensure they meet the Tier 22 load rating. Fasteners can also be changed out quickly with our anchor and clip design. We offer the option of self tapping or fine threads for lid attachment, depending on your application preference. Change out is fast and easy.

At a reasonable price point, the H22-243624 easily fills the need for both Tier 15 and Tier 22 projects, reducing the number of products on hand needed to fill various jobs. One Hand Hole, flexibility and safety – all in one.

Our unit has 7.9 cubic feet total internal volume for your splice box. The HDPE walls allow for items to be fastened in place easily.

Custom puck labeling is available – Standard options are HTZ, Fiber Optic or Communication center logos.



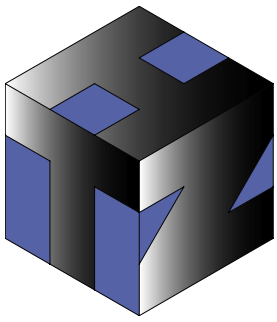
H22 - 243624GY1 Shown

### HTZ SOLUTION FEATURES:

- **HDPE Components with Aluminum Structure (Lid & Clamshell)**
- **Lightweight (115 lbs Fully Assembled)**
- **Reversible Clamshell – Prevents Errors when Setting**
- **Unique Snaplock Clamshell**
- **Lids available in Gray or Green color**
- **Advanced Design Clip in Anchors for Lid attachment**
- **Outer Grid Prevents Heaving after Installation**
- **Raised lip on clamshell and recess in lid prevent water ingress to unit**



SCAN TO LEARN MORE  
FOR ACCESS TO DISTRIBUTORS

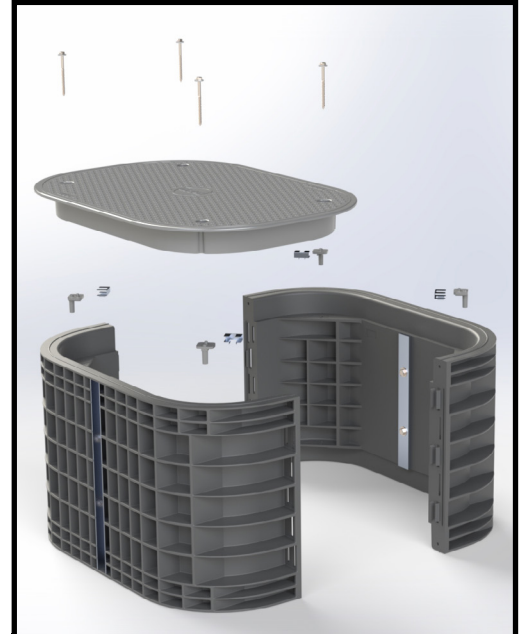


# The HTZ Solution!

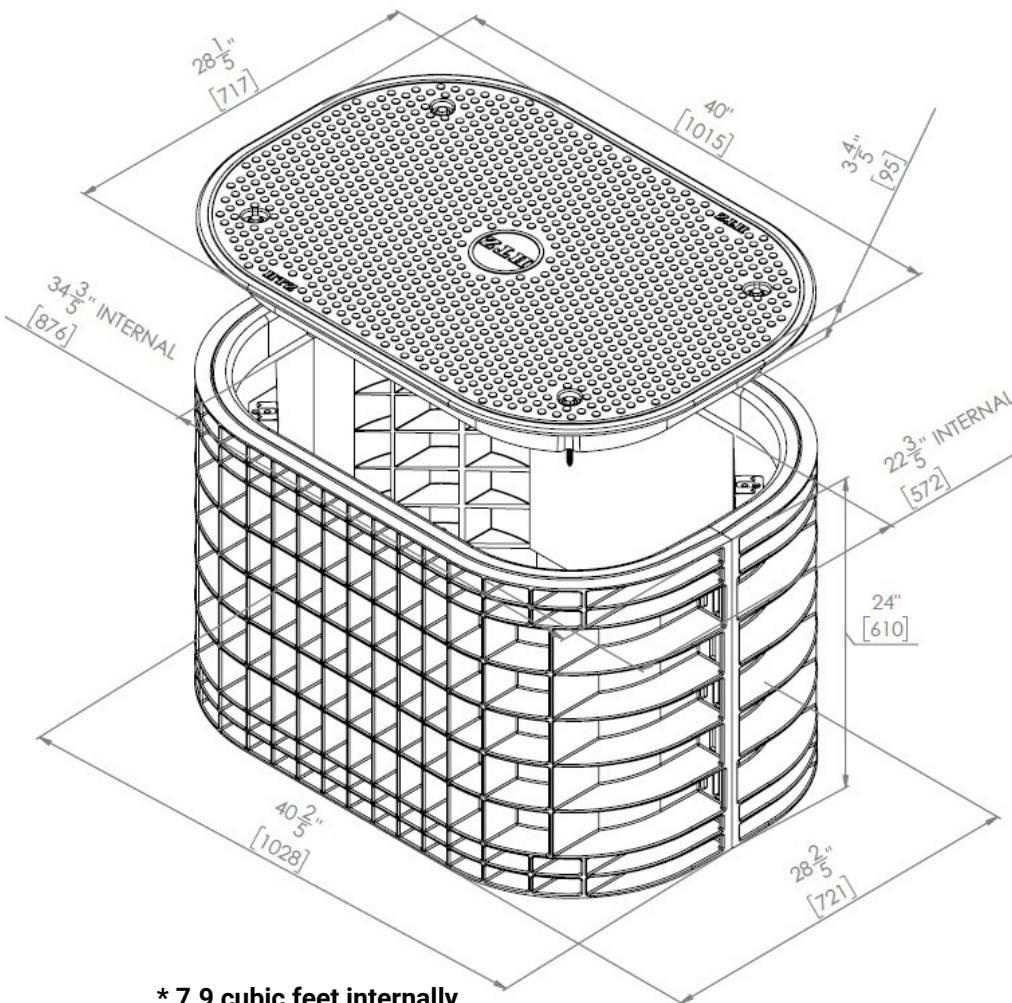
[sales@htzsolutions.com](mailto:sales@htzsolutions.com)

[HTZSolutions.com](http://HTZSolutions.com)

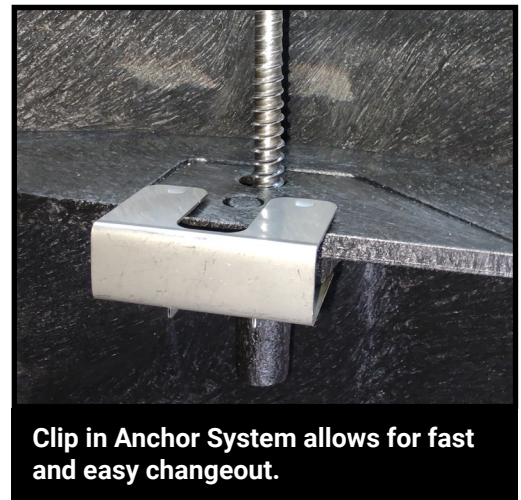
Weight	Lbs	Kg
Lid	46	20.9
Clamshell (Assembled)	69	31.4
Clamshell/ Separated	34.5	15.7
<b>Fully Assembled</b>	<b>115</b>	<b>52.3</b>



Meets ANSI SCTE 77 2017 Standards  
(33,750 Lb Test Load Requirement)



\* 7.9 cubic feet internally  
(with lid installed)



Clip in Anchor System allows for fast and easy changeout.

## Shipping / Logistics Info

Truckload Quantity	150	
Pallet Quantity	6	
Full Pallet Weight	690 lbs	313 kg



SCAN TO LEARN MORE  
FOR ACCESS TO DISTRIBUTORS

July 12 2023 and Rev.K